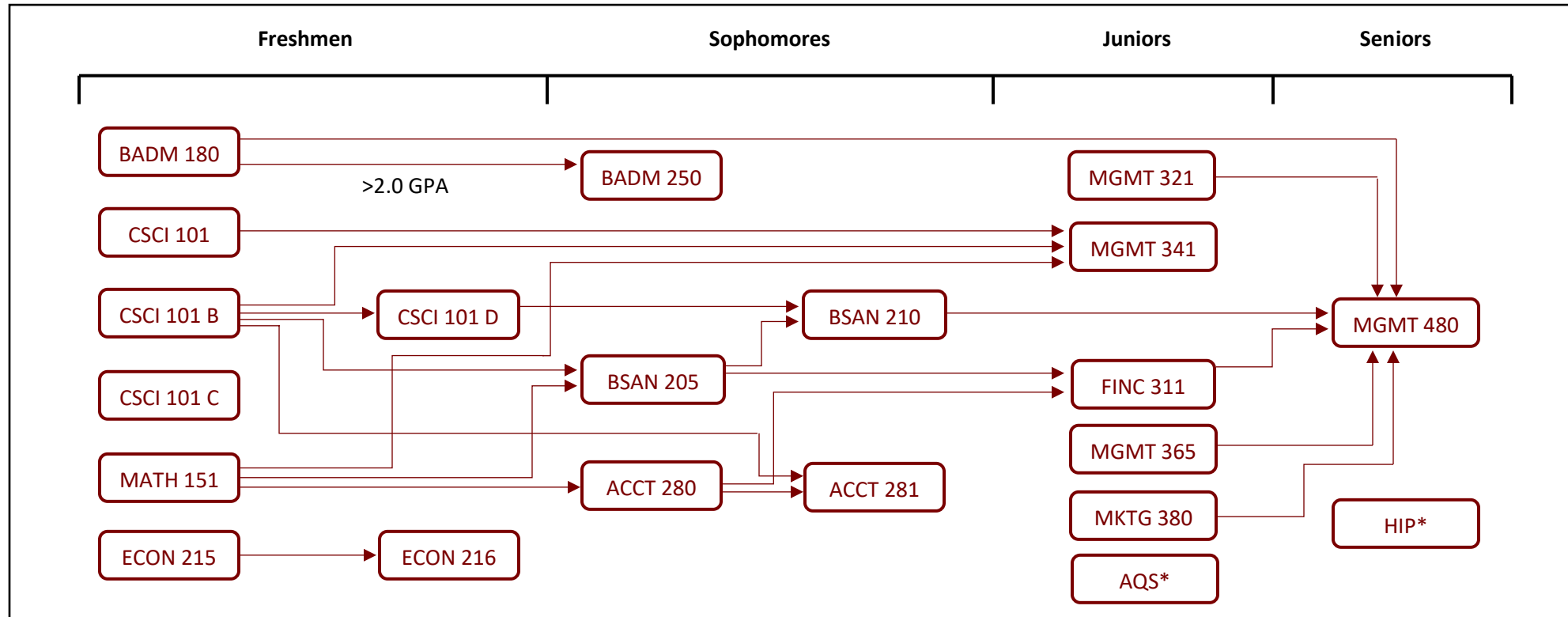
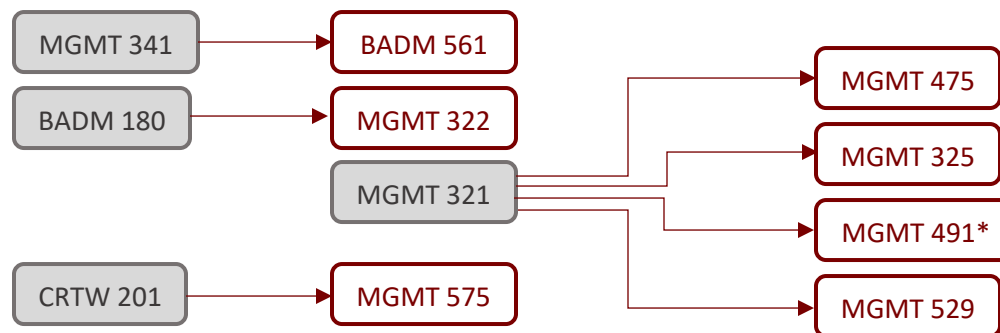


## Bachelor of Science in Business Administration **MANAGEMENT**

\*All Business-related courses above 299 require a C- in HMXP 102/HXCT 301, Junior Status, and a 2.0 GPA\*



### MANAGEMENT - CONCENTRATION COURSES



*\*\*Remaining 6 credits are to be chosen from @3, @4, and @5 from the following: ACCT, BADM, CSCI, ECON, ENTR, FINC, HCMT, MGMT, MKTG, or BSAN*

*(Cannot be MGMT 365)*

*Any class marked with a \* means there are extra pre-requisites to make note of.*