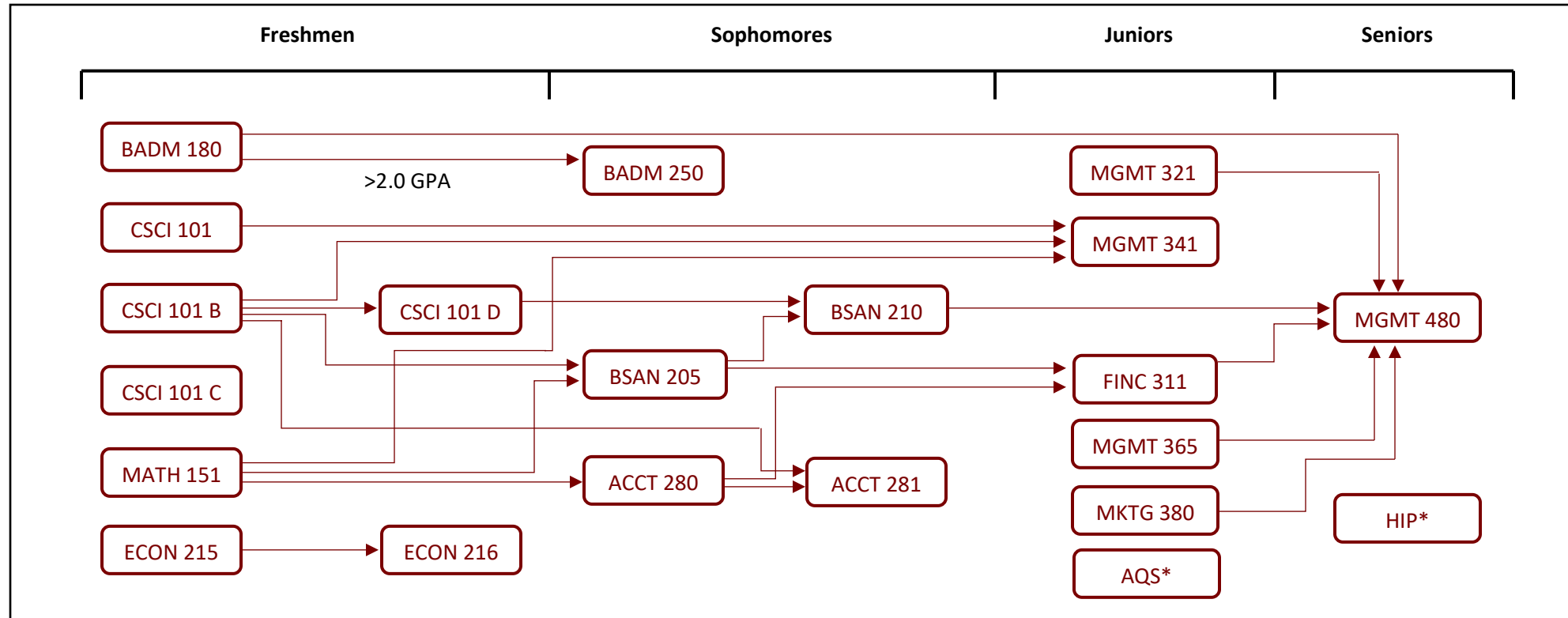


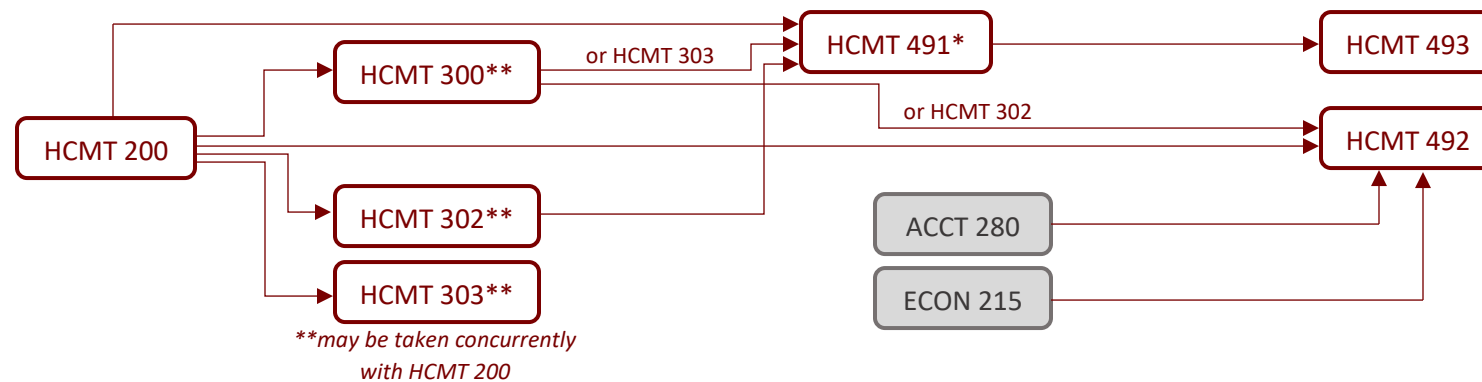
Bachelor of Science in Business Administration

HEALTH CARE MANAGEMENT

All Business-related courses above 299 require a C- in HMXP 102/HXCT 301, Junior Status, and a 2.0 GPA



HEALTH CARE MANAGEMENT - CONCENTRATION COURSES



*Any class marked with a * means there are extra pre-requisites to make note of.*