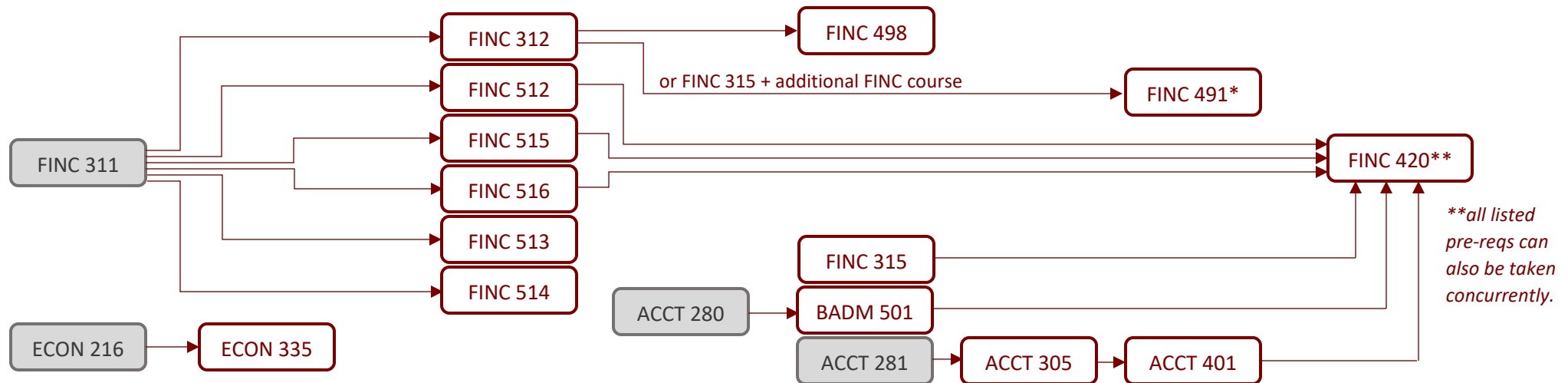
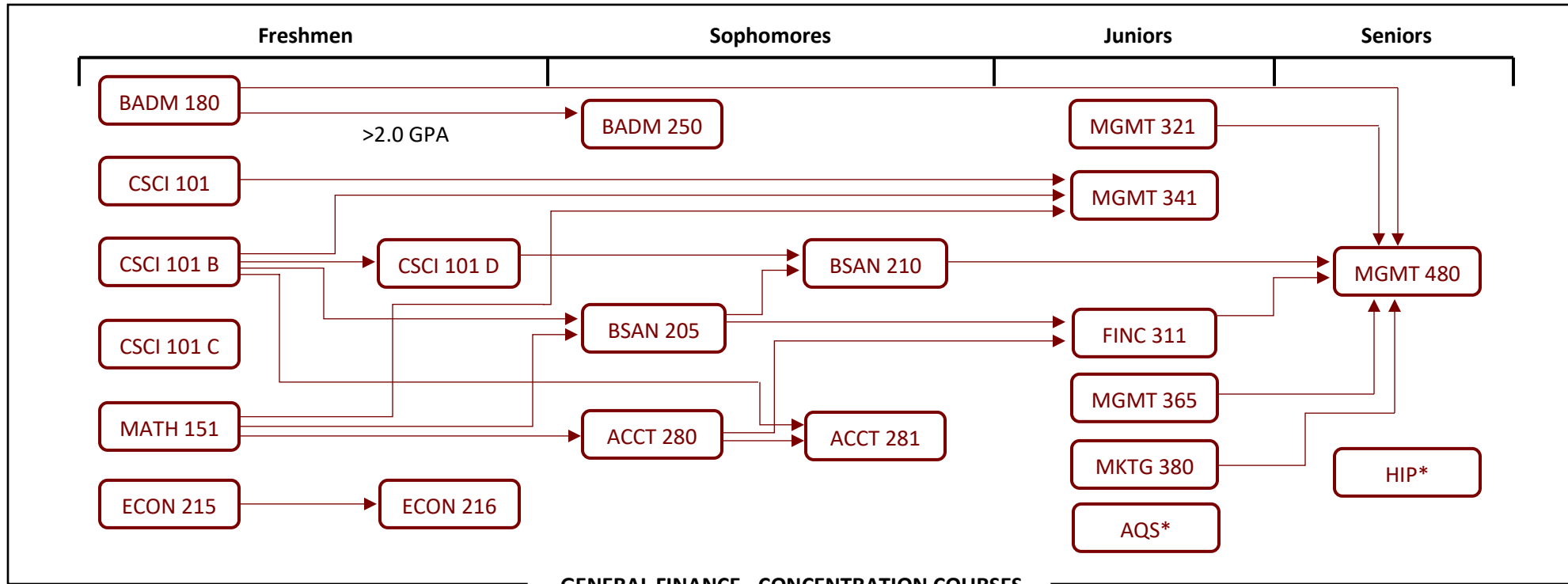


Bachelor of Science in Business Administration

FINANCE – GENERAL FINANCE

All Business-related courses above 299 require a C- in HMXP 102/HXCT 301, Junior Status, and a 2.0 GPA



**all listed pre-reqs can also be taken concurrently.

Any class marked with a * means there are extra pre-requisites to make note of.