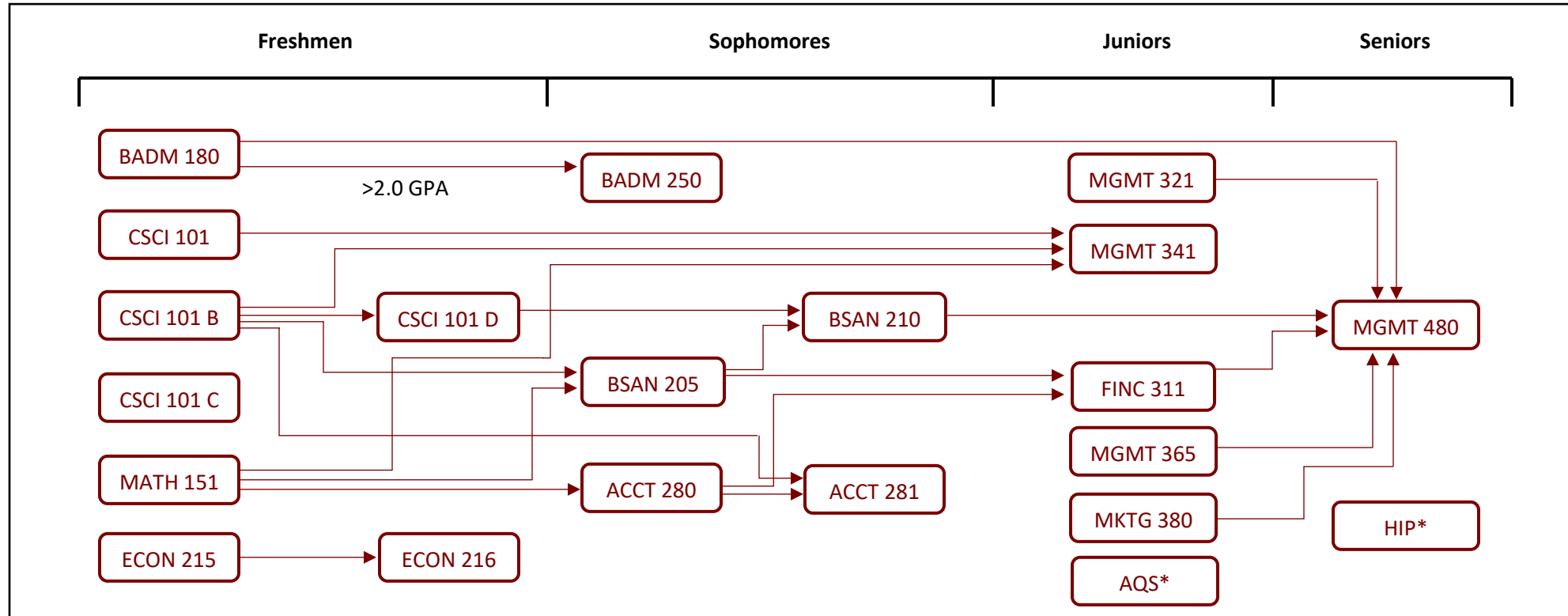


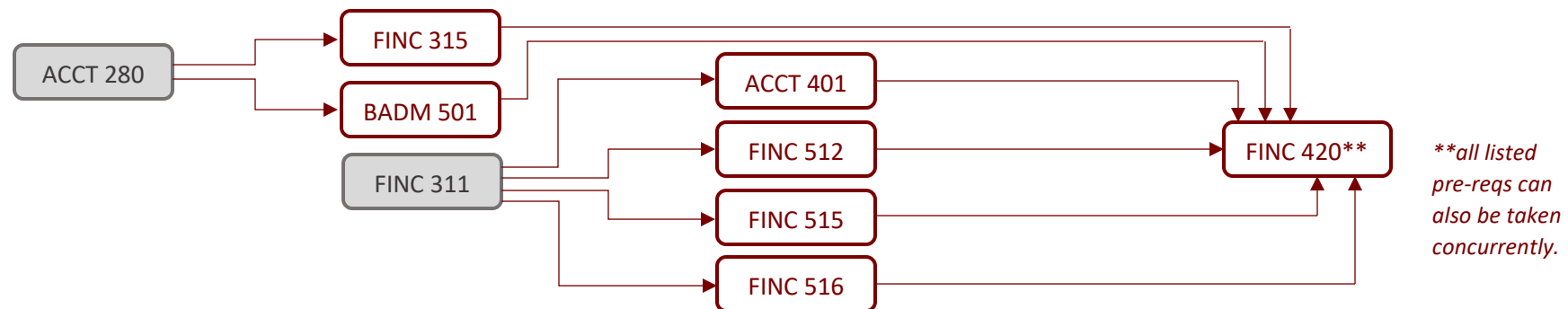
# Bachelor of Science in Business Administration

## **FINANCE – FINANCIAL PLANNING**

\*All Business-related courses above 299 require a C- in HMXP 102/HXCT 301, Junior Status, and a 2.0 GPA\*



### **FINANCIAL PLANNING - CONCENTRATION COURSES**



Any class marked with a \* means there are extra pre-requisites to make note of.